

► **Code Number**

3910228

► **Description**

Exposed Water Closet Flushometer with Adjustable Ground Joint Tailpiece, for floor mounted or wall hung top spud bowls.

► **Flush Cycle**

□ Model 112-4.5 (4.5 gpf/ 17.0 Lpf)

► **Specifications**

The Flushometer replaces existing valves that incorporate Ground Joint Tailpiece connections without having to replace the supply Control Stop. Quiet, Exposed, Diaphragm Type, Chrome Plated Closet Flushometer with the following features:

- PERMEX® Synthetic Rubber Diaphragm with Dual Filtered Fixed Bypass
- Non-Hold-Open Handle, Fixed Metering Bypass and No External Volume Adjustment to Ensure Water Conservation
- Diaphragm, Handle Packing and Vacuum Breaker to be molded from PERMEX® Rubber Compound for Chloramine Resistance
- Adjustable Ground Joint Tailpiece
- ADA Compliant Metal Oscillating Non-Hold-Open Handle
- Flush accuracy controlled by CID® technology
- Spud Coupling and Flange for 1 1/2" Top Spud

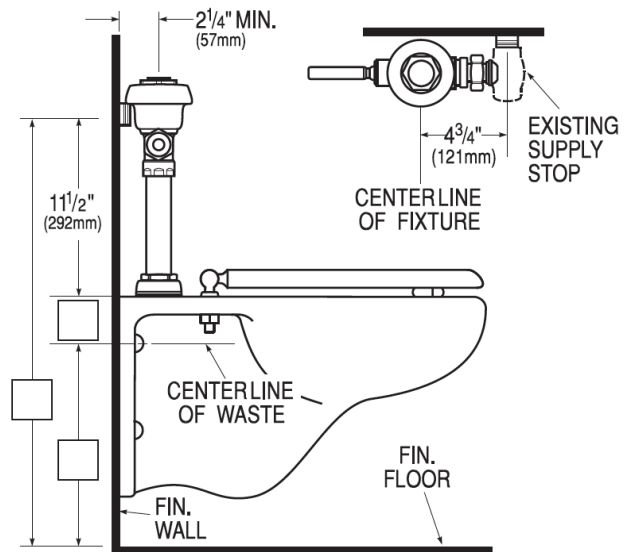
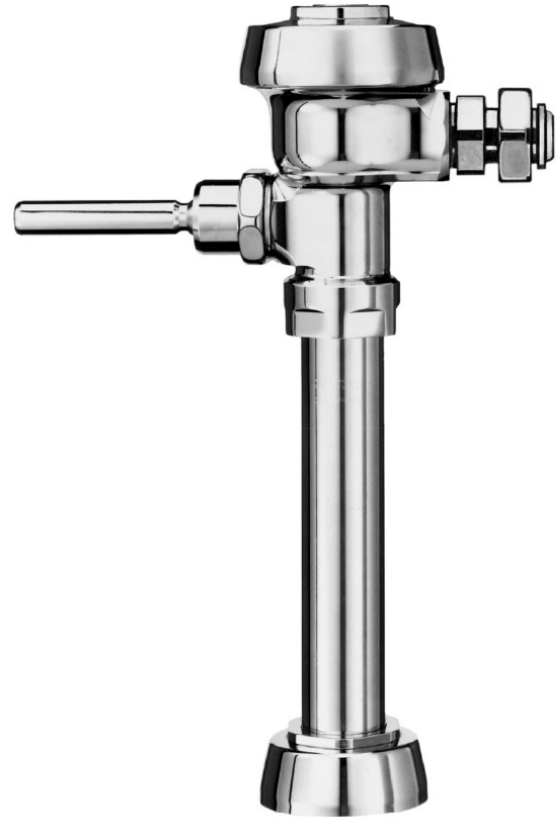
Valve Body, Cover, Tailpiece and Control Stop shall be in conformance with ASTM Alloy Classification for Red Brass. Valve shall be in compliance to the applicable sections of ASSE 1037 and ANSI/ASME 112.19.2.

► **Variations**

Retrofit Installations may require specialized Valve Rough-ins. Consult Sloan Valve Company Installation Engineering Department for assistance.

► **Accessories (Sold Separately)**

See Accessories Section of the Sloan catalog for available accessories



► **Compliance & Certifications**



Made In The
USA



This space for Architect/Engineer Approval